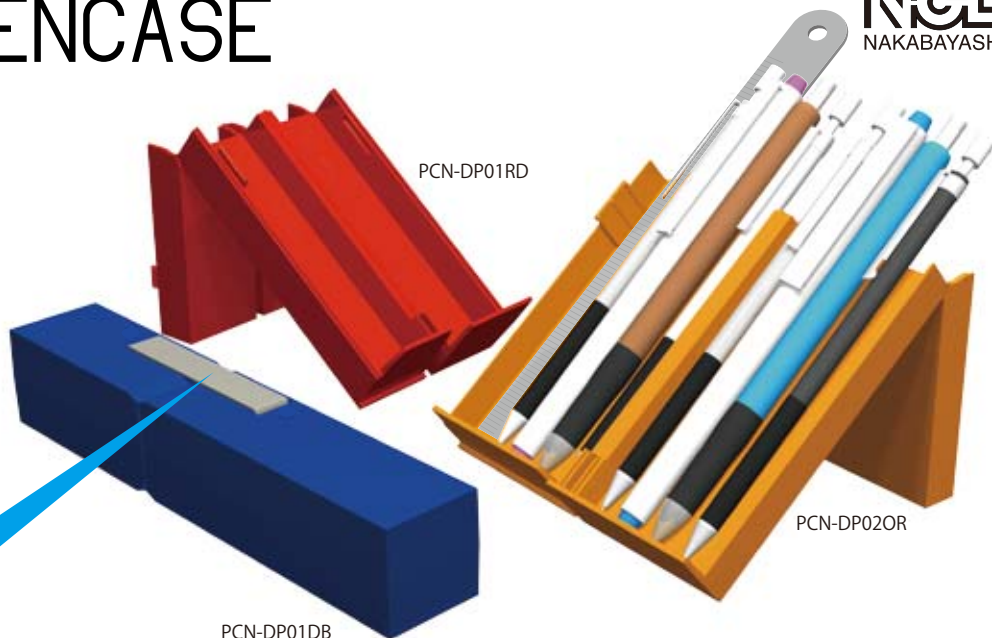


DISPLAY PENCASE



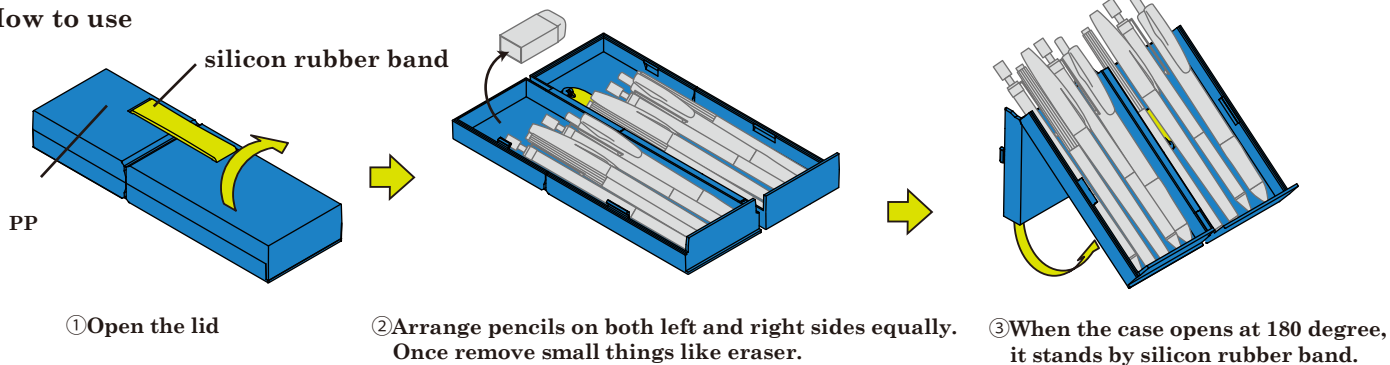
Pencil Case stands with silicon rubber.

PCN-DP01DB

Display your writing instruments

The pencil case stands with rubber band and arrange pencils beautifully as if it is display stand for pencils. You can see all of writing instruments displayed on this case at a glance and easy to pick them out of the pencil case!!

How to use



①Open the lid

②Arrange pencils on both left and right sides equally. Once remove small things like eraser.

③When the case opens at 180 degree, it stands by silicon rubber band.

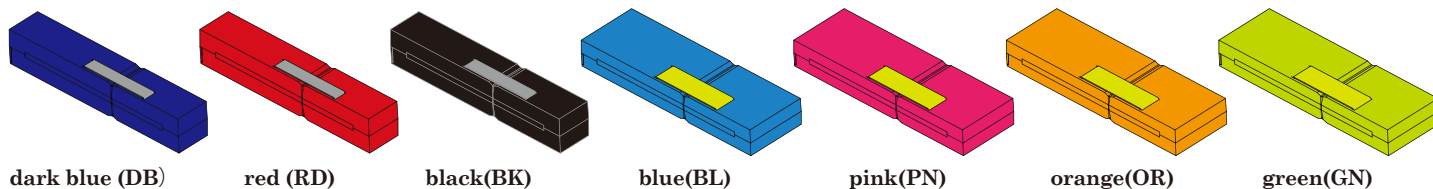
Size and Color variation

S size : W33xD185xH33mm

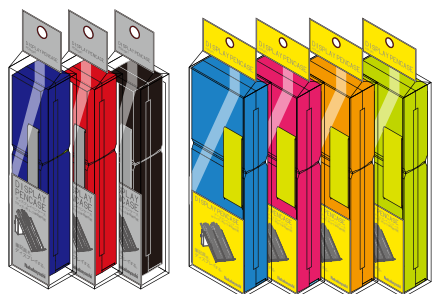
3~5 pieces of pencils and a ruler in 15cm available per case

M size : W58xD185xH25mm

7~9 pieces of pencils and a ruler in 15cm available per case



package



Inner carton which is used as display box

